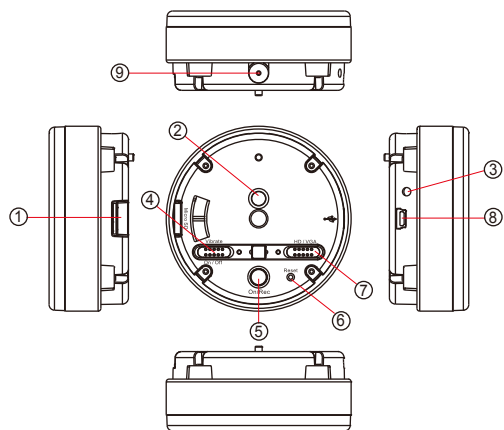


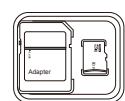
1. Names and Parts



- | | | |
|---------------------|-----------------------------------|--------------------|
| 1. Memory Card Slot | 4. Vibration On/Off | 7. HD / VGA Switch |
| 2. Format Button | 5. Power On/Off & Rec/Stop Button | 8. USB Socket |
| 3. Microphone* | 6. Reset Button | 9. CMOS Lens |

*No Microphones are available for USA territory.

2. Package Content



MicroSD card



Extra Lid



USB cable



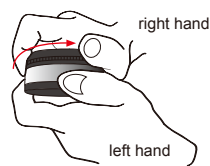
Flask

WARNING: DO NOT FILL THE FLASK WITH HOT WATER.

(1)

3. Open & Close DVR Lid

Open the DVR lid

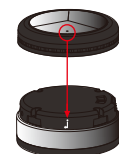


1. Hold the DVR from the bottom by left hand. Carefully unscrew the lid of DVR by right hand following red arrow pointed direction.

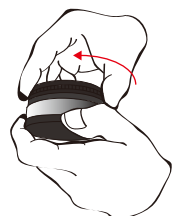


2. Remove the lid following red arrow pointed direction.

Lock up the DVR lid



1. Cover the DVR by aiming the dot at the white arrow mark.

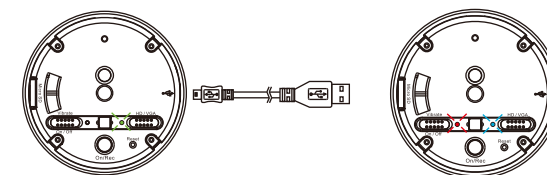


2. Screw the cap following red arrow pointed direction until it is correctly locked up.

(2)

4. Charge Battery

Connect to PC via USB cable



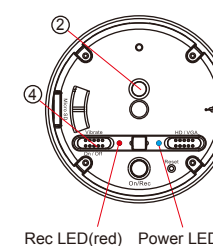
LED bar

Charge LED(Green)
When battery is fully charged,
the green LED will turn off.

Power LED(Blue)
Rec LED(Red)

1. Remove the lid from the DVR and connect the supplied USB cable into the device.
2. Plug the USB cable to a PC, the green Charge LED of the device will illuminate to show the charging is in process.
3. Green LED will turn off when the battery is fully charged.

5. Format Memory Card



1. Long press the Format Button(2) and hold.
2. Use another finger to press the Power on button(4) for 2 seconds.
3. Power LED will illuminate Blue, hold the Format button until the Rec LED starts to blink.
4. Release the Format button. Rec LED will go out after 5 seconds to show the formatting is completed.

Rec LED(red) Power LED(blue)

(3)

6. Retrieve Files from DVR

There are two ways to download video/photo files.

1. Use memory card reader to download video/photo files.
2. With the device powered on and memory card inserted, connect the device to PC by USB cable. It will be recognized by PC as an external drive for user to retrieve the files.

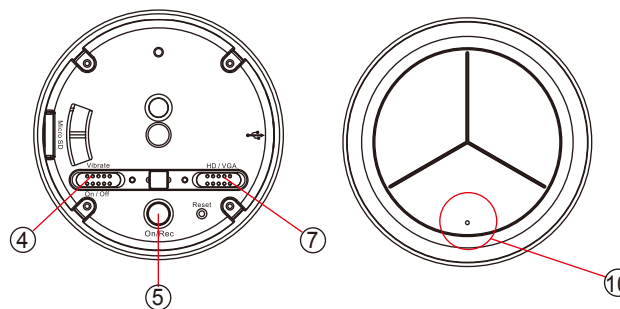
7. Date and time setting (for Windows computer)

1. Right-click on Windows desktop. Choose Notepad to create a *.txt (text) file.
2. Open the txt file. If current time is January 16, 2013 15:00. Enter date and time information as 2013.01.16 15:00:00. Note that a space must be present in between date and time in 24-hour format.
3. Name the file as settime.txt and save it to the root directory of the memory card.
4. Insert the memory card to the slot then power on the device. The date and time setting is now completed.
5. Please note when the date and time information is successfully set up, the settime.txt file should not be visible when the device is connected to computer the next time.

(4)

8. Operation

Please note, memory card needs to be formatted on the device for the unit to recognize it. Formatting memory cards using a PC is not recommended and may result in recording failure.



8.1 Instant recording

- A. When the DVR is covered by lid, press the dot area (10) marked on the lid. DVR will power on and start to record automatically. Long press the dot to stop recording and turn off the DVR.
- B. Operation is the same when using the Power/Rec button (5) directly.

8.2 Vibration On/Off

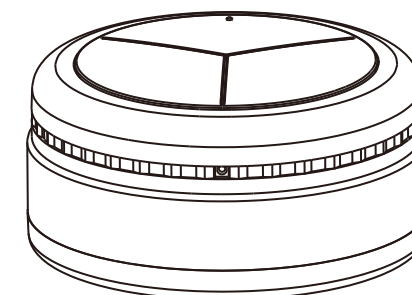
- A. Switch (4) to On/Off to activate/deactivate vibration mode.

8.3 Resolution HD/VGA

- A. Switch (7) to VGA to choose video resolution 640x480.
- B. Switch (7) to HD to choose video resolution 1280x720.

(5)

PV-LD12 Flask Design DVR Quick Guide



Force Protection Video, Inc.

